

Rev	Ind	Revision	Appd	Date

Bushing Data:

Rated Voltage	800	kV
Phase to-earth Voltage	485	kV
Dry Lightning Impulse 1,2/50µs	2100	kV
Wet Switching Impulse	1425	kV
Wet Power frequency AC	900	kV
Routine test Imin dry 50Hz	970	kV
Rated Current	2500	A
Creepage Distance	16630	mm
Mass	2555	kg

Ordering Data:

BUSHING COLOUR AIR INSULATOR
 LF121081 -B / -AB BROWN / LIGHT GREY

OUTER TERMINAL

	H2	D2
	(mm)	(mm)
LF170 073-A Al	125	60
LF170 073-B Cu	125	60
LF170 073-G Cu/Ag	125	60
OTHER TYPES ON REQUEST		

END-SHIELD
 LF170 046-X EPOXY INSULATED
 LF170 046-XP INSULATED WITH 5 mm PRESSBOARD

DRAW ROD SYSTEM
 LF170 059 LOWER DRAW ROD WITH NI=4 OR NI=6
 LF170 057 UPPER DRAW ROD

INNER TERMINAL

	D3	D9	Cond.area	Current (A)
	(mm)	(mm)	(mm ²)	IEC IEEE
LF170 056-E O *)	45	-	-	-
LF170 056-D	40	45	600	1600 1360

*) WITH PILOT HOLE D=5

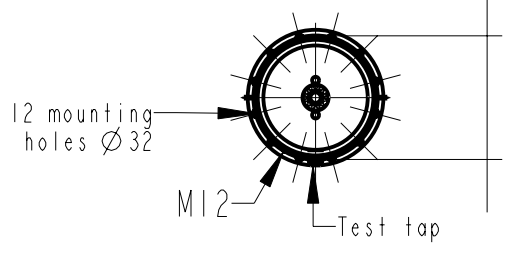
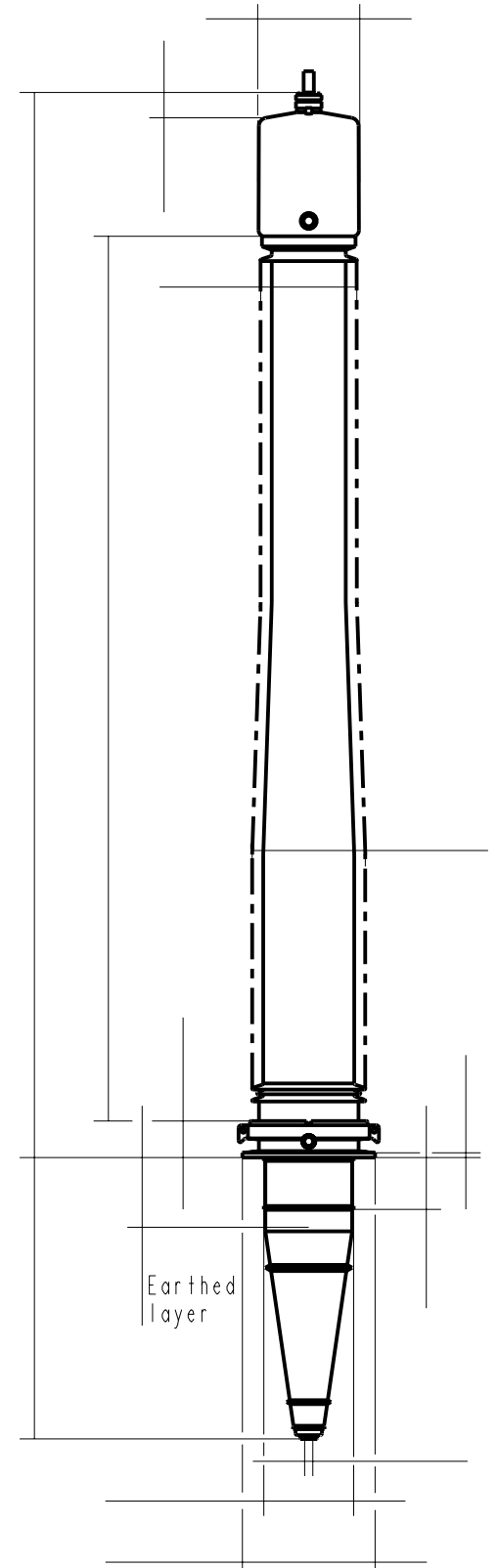
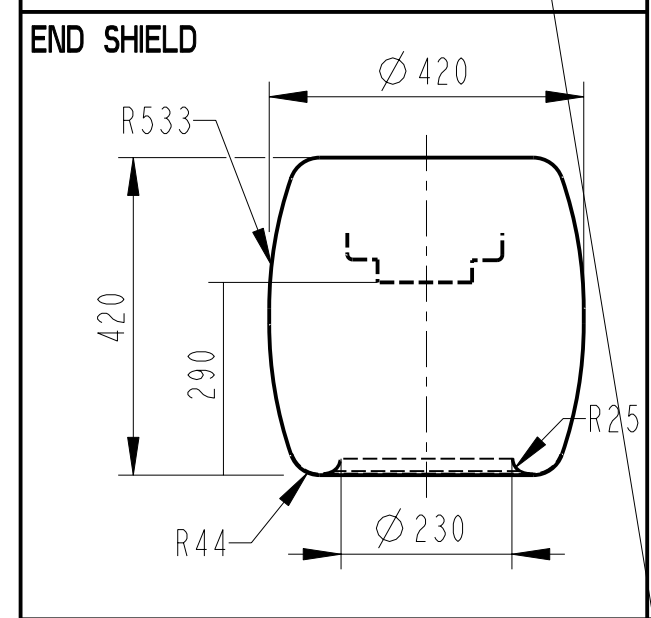
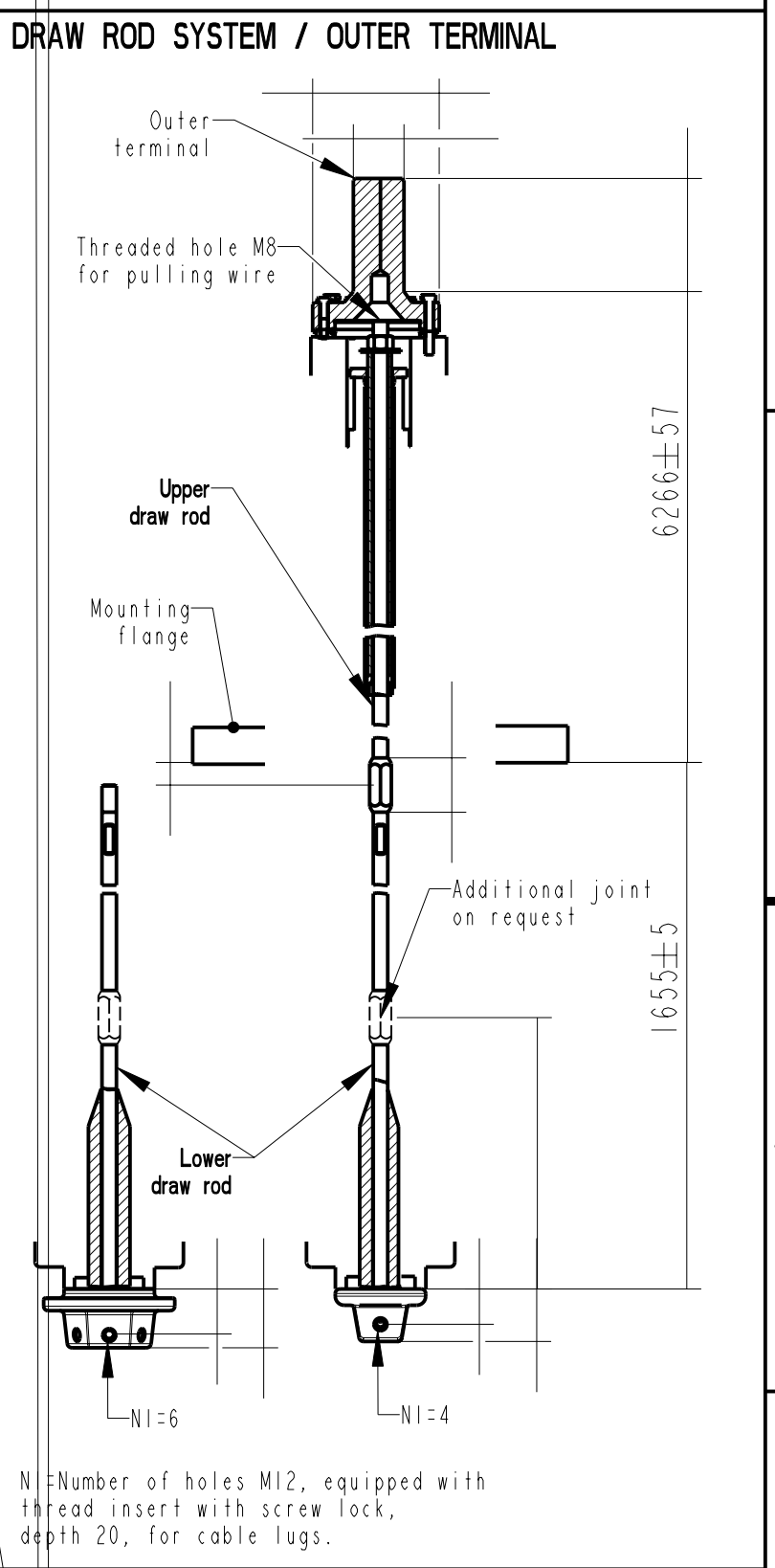
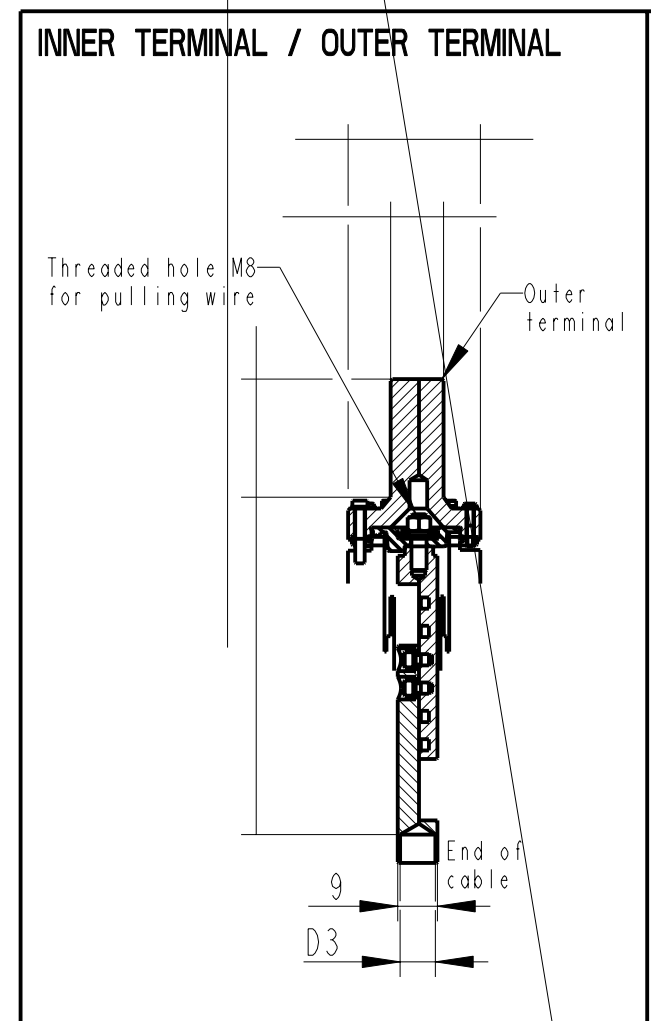


ABB Components Luleå, Sweden

Urty	Nb			
U	kV	SI	A	50-60 Hz
M	kg	L	mm	D
C1	pF	Tanδ		
C2	pF	Tanδ		

We reserve all rights in this document and in the information contained therein. Reproduction, use or disclosure to third parties without express authority is strictly forbidden. ©ABB

Based on	Reg. No.	Title	Language 82
Prepared Lövnord	Responsible department COM/BK 0022	GOE-2100-1425-2500-0.3	
Approved Johansson	Take over department		Page 1(1)
Design engineering review Gutman	Database		Document No. 2751369-43

ABB Component